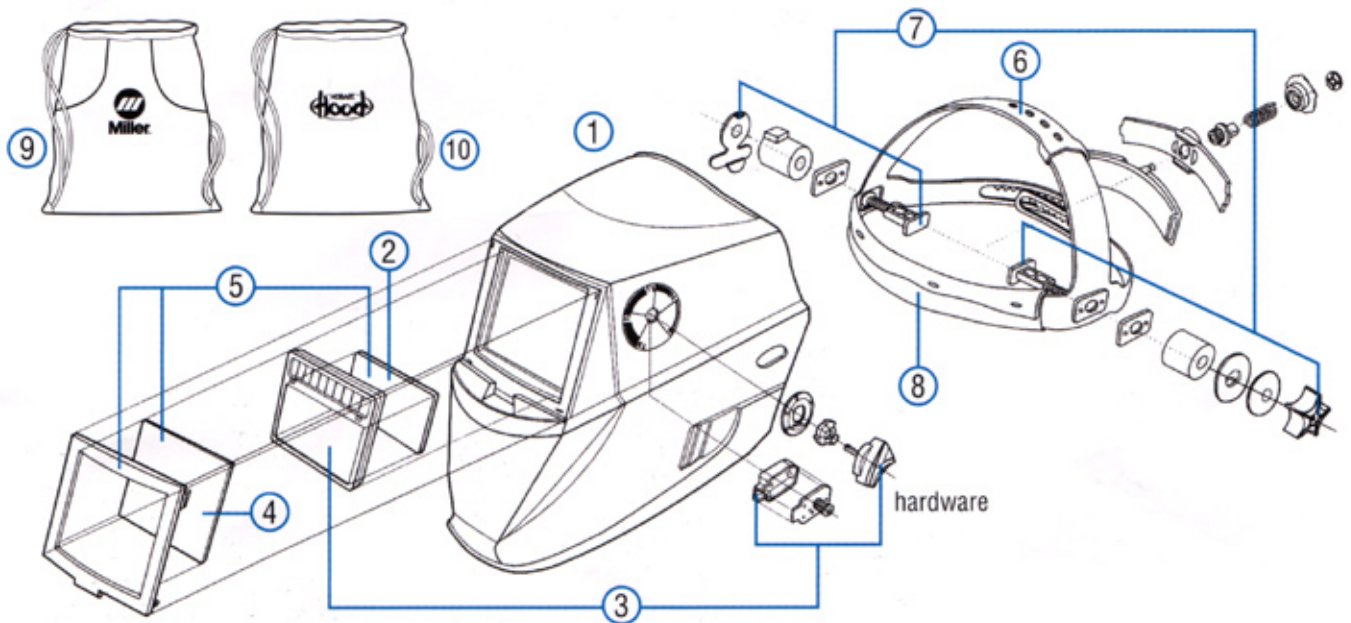


AUTO-DARKENING HELMET REPLACEMENT PARTS

Item #	Description	XL Series Stock #	XLi Series Stock #	XLix Series Stock #
1	Helmet shell, American Eagle (XL)	770 229		
1	Helmet shell, Asteroid (XL)	770 230		
1	Helmet shell, Black (XL)	770 231		
1	Helmet shell, Flame (XL)	770 232		
1	Helmet shell, Millermatic™ (XLi)		770 233	
1	Helmet shell, Dale Earnhardt Sr. (XLi)		770 253	
1	Helmet shell, Dale Earnhardt Jr. (XLi)		770 234	
1	Helmet shell, Stars and Stripes (XLix)			770 235
1	Helmet shell, Black (XLix)			770 236
2	Inside lens cover, all (small 4-1/4 x 2 in)	770 237	770 237	770 237
3	Auto-darkening lens assembly	770 121 (w/hardware)	770 238 (lens only)	770 239 (w/hardware)
4	Front lens cover (large 4-1/2 x 3-3/8 in)	770 240	770 240	
4	Front lens cover, XLix (large 4-5/8 x 3-3/4 in)			770 241
5*	Front lens holder kit, Black	770 156	770 156	
5*	Front lens holder kit, Gray		770 242	
5*	Front lens holder kit, Red		770 243	
5*	Front lens holder kit, Blue			770 244
5*	Front lens holder kit, Black (XLix)			770 245
6	Ratchet headgear assembly	770 120	770 120	770 246
7	Adjustment angle/stop hardware kit	770 247	770 247	770 248
8	"Cosmel" fabric headband	770 249	770 249	770 249
9	Helmet bag with drawstring and pouch (Miller logo)	770 250	770 250	770 250
10	Helmet bag with drawstring (Hobart logo)	770 251	770 251	770 251

*Kit includes: Front lens holder, 5 large lens covers, 1 small lens cover



See your local Miller distributor for ordering information.